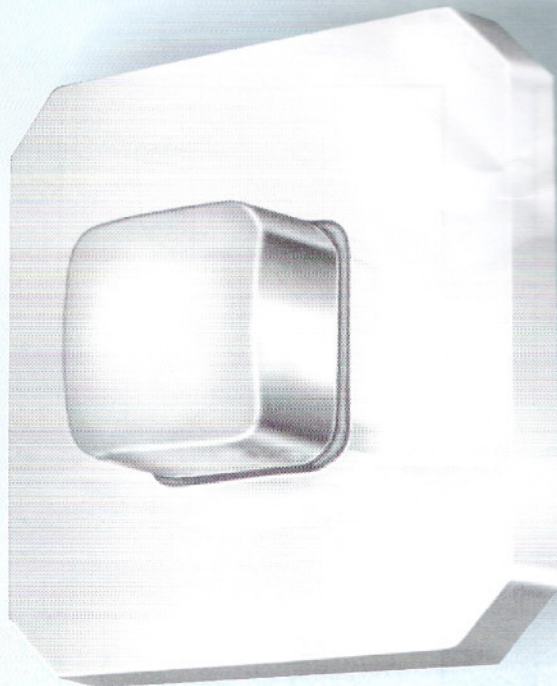


PNEUMATIC FLUSHING CISTERN

Adds Beauty to your life . . .
Adds Beauty to your life . . .

What is seen is this beautiful



Chromium finished flushing knob

Manufactured by :

Karoma Plast Pvt. Ltd.

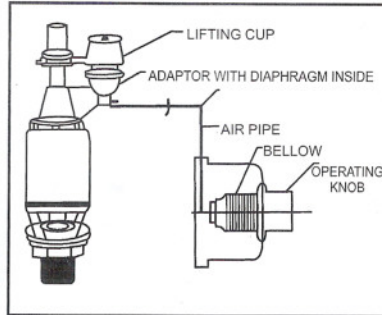
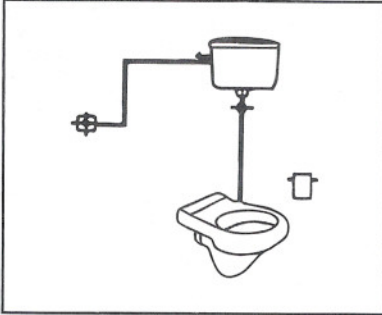
Sagar Plaza Complex, 3, Shraddha, Vasai-Sativali Road, Vasai (E), Thane - 401 208 (India)
Tel. : (0250) 2453647 - E-mail : mail@karomplast.com - Website : www.karomplast.com

INSTALLATION INSTRUCTIONS :

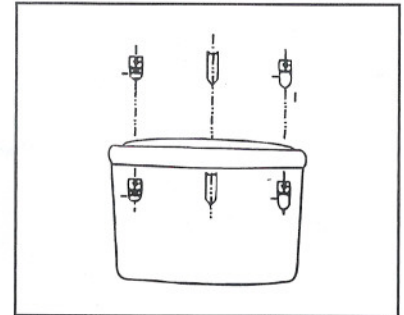
Please fit the flush cistern in a place where it can be easily serviceable.

PNEUMATIC Air operated cisterns can be installed 10 feet away from your W.C. And can be operated by a knob fitted near your W.C.

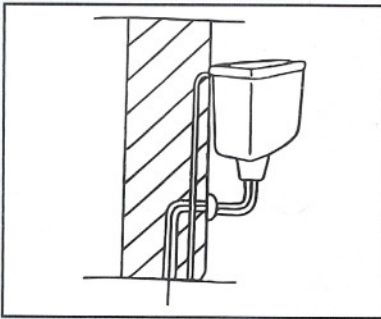
PNEUMATIC cistern is manufactured from suitable grade Plastics and it uses High Technology Valve. The outlet valve is a Beta valve working with a pneumatic function.



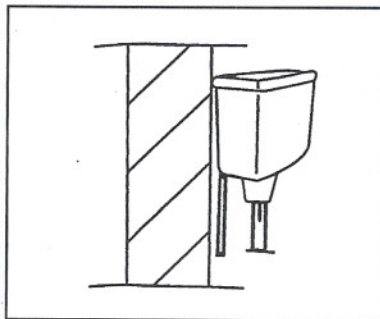
The operating knob when pressed compresses air in bellow & releases air in adaptor which in turn lifts the diaphragm and piston fixed on an attachment of the outlet valve.



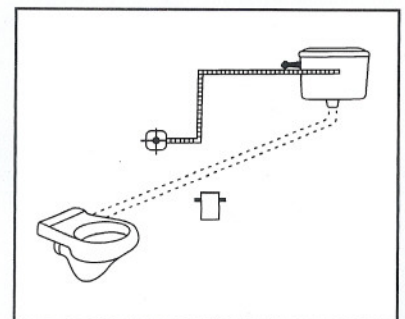
1. Use paper template provided to fit: Wall Brackets perpendicular to the plumb line.
2. Now install the cistern on two wall Brackets fitted.



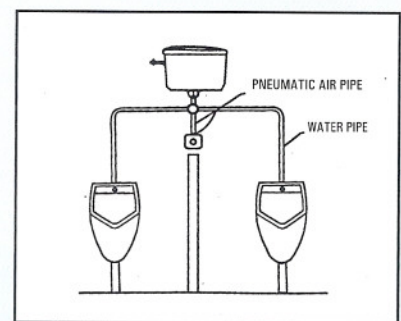
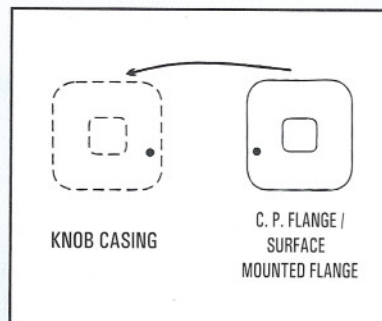
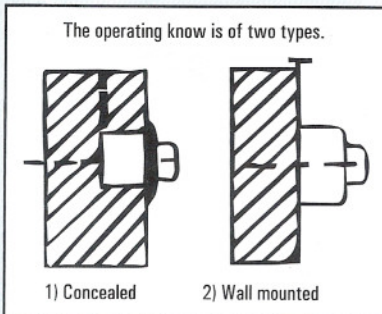
3. a) Concealed Operating Knob - Install outlet pipe in the wall.



3. b) For wall mounted operating knob fit - outlet pipe on the surface of the wall. Connect pipe to w/c as shown in this installation.



4. Should you have a long horizontal distance to cover ensure sufficient gradient and head to enable w/c to flush in less than 7.0 sec. The ideal flush is less than 6 sec.



Pneumatic cistern can be adapted for use in urinals by adjusting the beta valve to give a 5 litre flush. The same shall be available on specific order.

Please ensure that the air pipe is not blocked or pressed from any where, which shall otherwise block the air. After installing the operation Knob, ensure that pvc is threaded from top to down. i.e. From the cistern down to the operating knob keeping a slack of 5cm.

Cut, the unused pvc pipe and fit on the knob nipple. After assembly fit the cover on the knob casing by matching the two colored circles to ensure concentric fit.

Always use conduit, bends, coupling and brackets for the pvc pipe. Do not install the pvc pneumatic pipe without conduits and always avoid sharp turns & Bends.

It is suggested not to have the pipe line fitting with sharp turns & many bends throughout the piping.

IMPORTANT INSTRUCTION :

- 1) If the product is installed correctly it shall work efficiently for years.
- 2) Pipe line should not have many sharp curves & Air pipe should not bend through out.
- 3) Flush tank should always be fitted in a place where it is possible for a plumber to service it whenever needed.
- 4) Faulty installation shall result in improper functioning of pneumatic cistern, for which we shall not be responsible.